



US00D370909S

United States Patent [19]
Oikawa et al.

[11] **Patent Number: Des. 370,909**
[45] **Date of Patent: **Jun. 18, 1996**

[54] **VIDEO DISPLAYING UNIT**

[75] Inventors: **Akitoshi Oikawa; Kenji Tosaki**, both of Tokyo, Japan

[73] Assignee: **Sega Enterprises, Ltd.**, Japan

[**] Term: **14 Years**

[21] Appl. No.: **44,336**

[22] Filed: **Sep. 22, 1995**

[30] **Foreign Application Priority Data**

Mar. 24, 1995 [JP] Japan 7-7981

[52] **U.S. Cl.** **D14/124**

[58] **Field of Search** D14/124, 121,
D14/100; D21/240, 13, 48; 273/148 B,
433-438, DIG. 28; 359/480, 431, 407,
630; 345/7, 8, 9, 905; 348/42, 53, 115,
838

[56] **References Cited**

U.S. PATENT DOCUMENTS

| | | | |
|------------|---------|----------------------|----------|
| D. 338,514 | 8/1993 | Holmes | D21/240 |
| D. 363,279 | 10/1995 | Ishizawa et al. | D14/124 |
| D. 363,482 | 10/1995 | Robinson et al. | D14/124 |
| 4,737,972 | 4/1988 | Schoolman | 345/8 X |
| 4,952,024 | 8/1990 | Gale | 348/53 X |
| 5,129,716 | 7/1992 | Holakovszky | 348/53 X |
| 5,276,471 | 1/1994 | Yamauchi et al. | 348/53 X |

OTHER PUBLICATIONS

HongKong Enterprise, Oct. 1994, p. 277.

Primary Examiner—Prabhakar G. Deshmukh
Attorney, Agent, or Firm—Ladas & Parry

[57] **CLAIM**

The ornamental design for a video displaying unit, as shown and described.

DESCRIPTION

FIG. 1 is a top, front and right side perspective view of a video displaying unit showing our new design;
FIG. 2 is a front view thereof;
FIG. 3 is a rear view thereof;
FIG. 4 is a top view thereof;
FIG. 5 is a bottom view thereof;
FIG. 6 is a right side view thereof;
FIG. 7 is a left side view thereof;
FIG. 8 is a top, rear and left side perspective view thereof;
FIG. 9 is a bottom perspective view thereof;
FIG. 10 is a top view thereof, in a state where the central part is extended;
FIG. 11 is a bottom view thereof, in a state where the central part is extended;
FIG. 12 is a right side view thereof, in a state where the central part is extended; and,
FIG. 13 is a right side view thereof, in a state where the shield is raised.

1 Claim, 9 Drawing Sheets

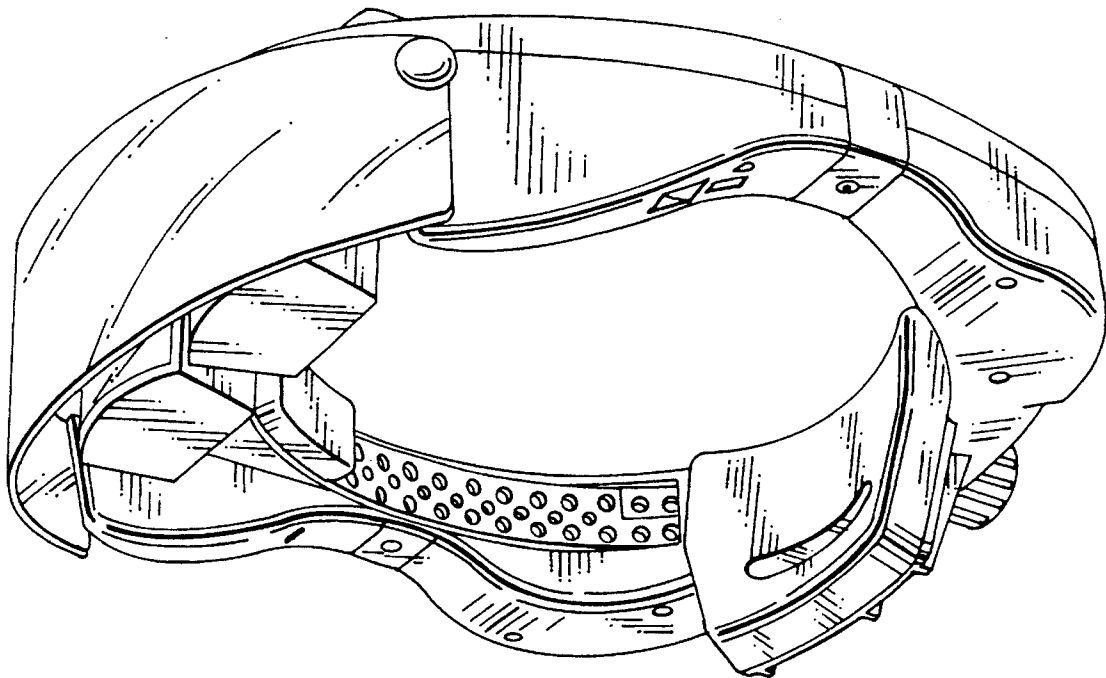


FIG. 1

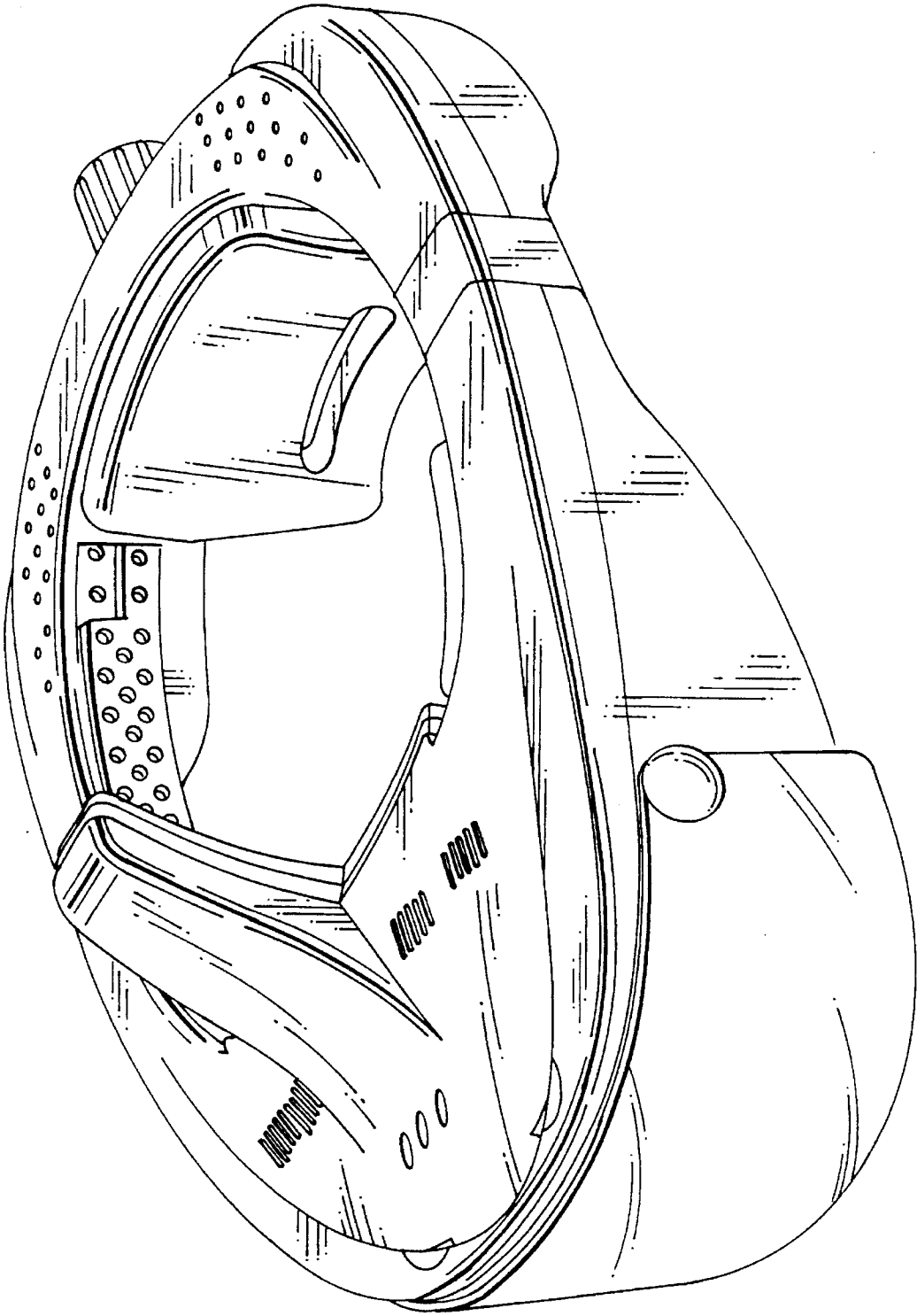


FIG. 2

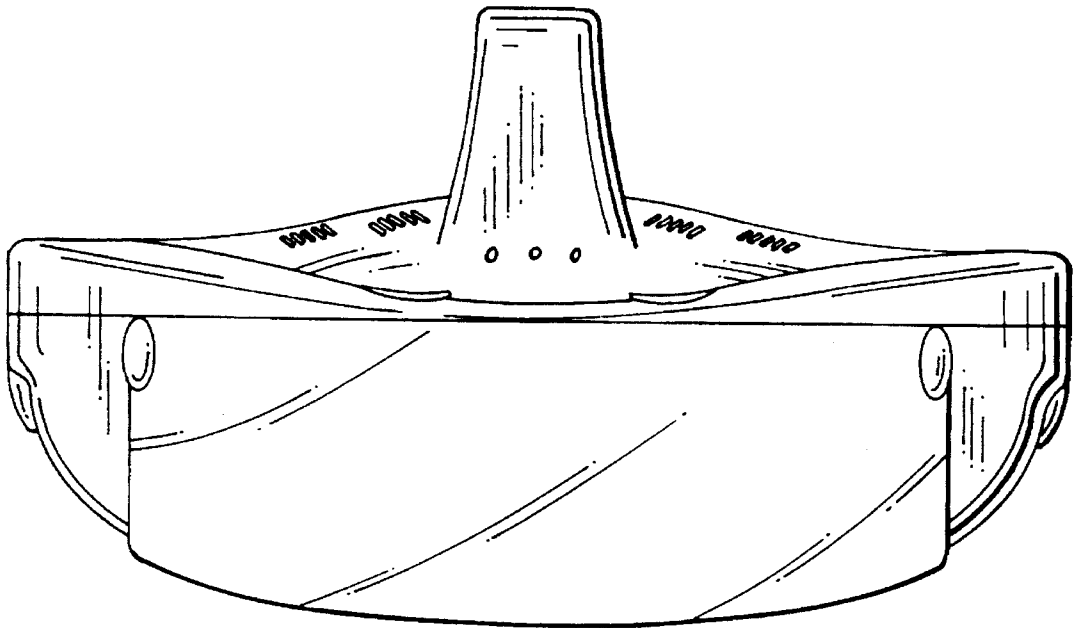


FIG. 3

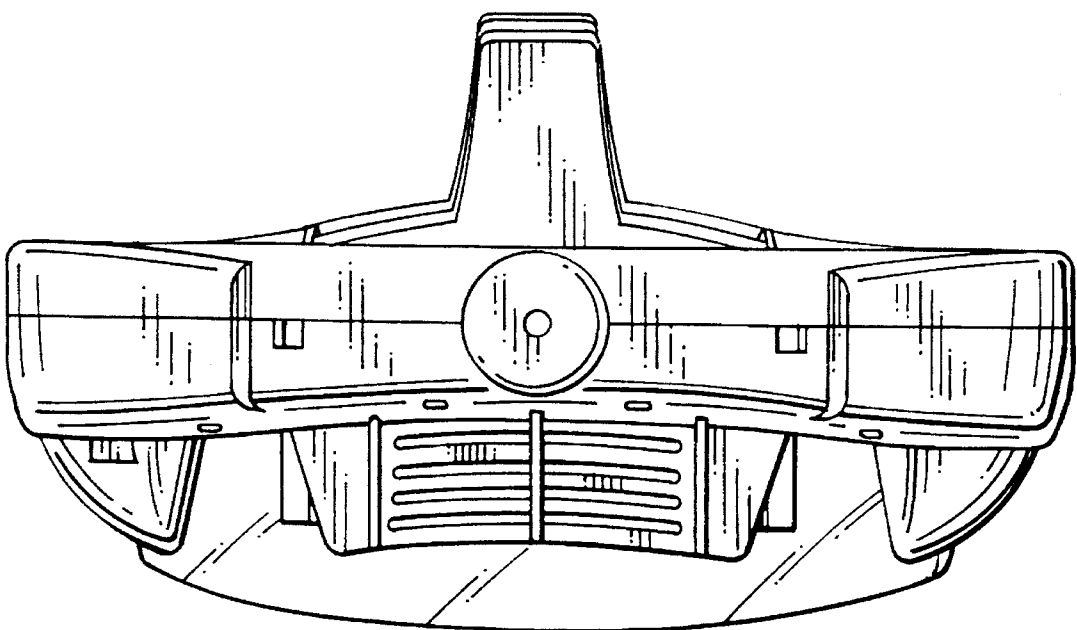


FIG. 4

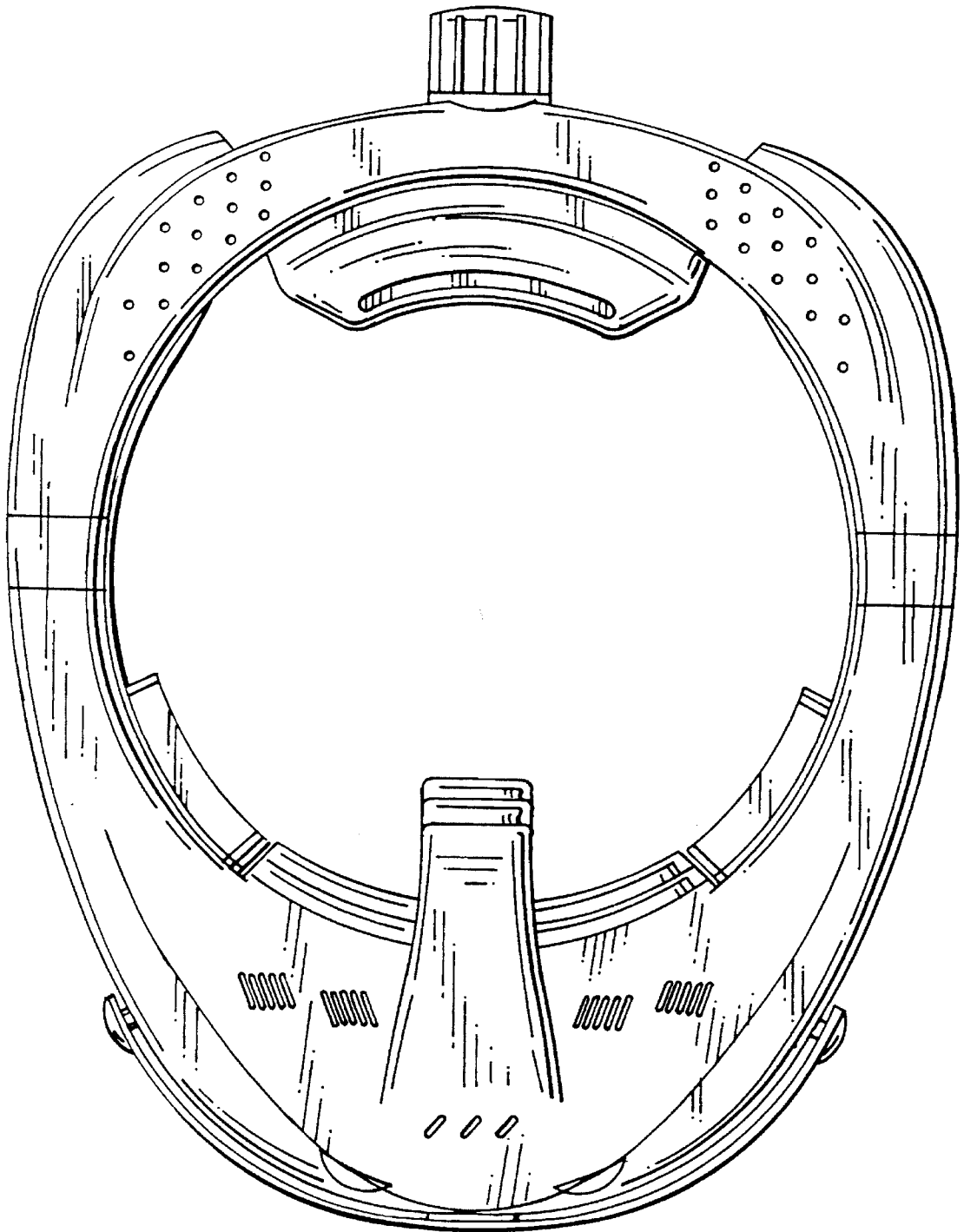
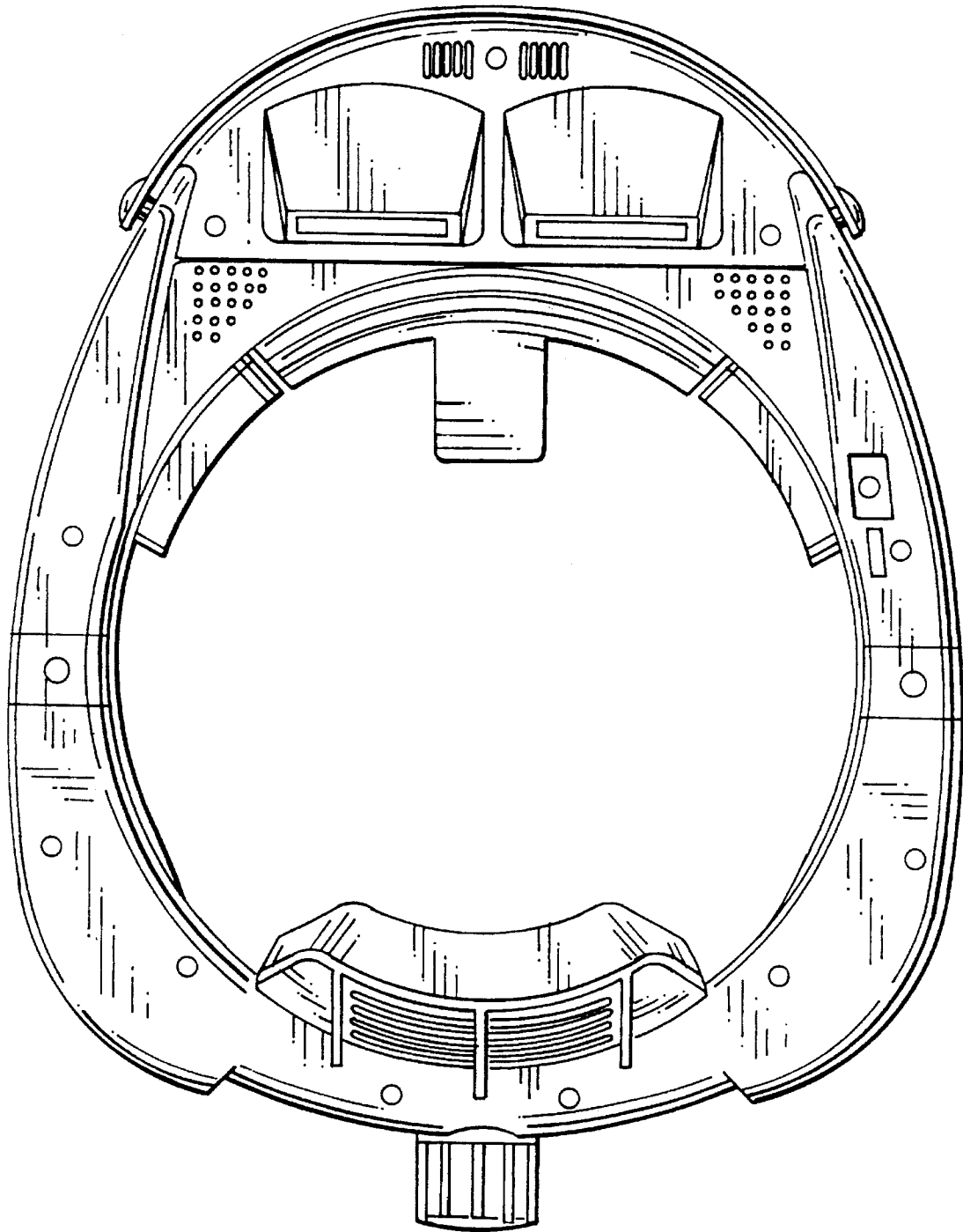


FIG. 5



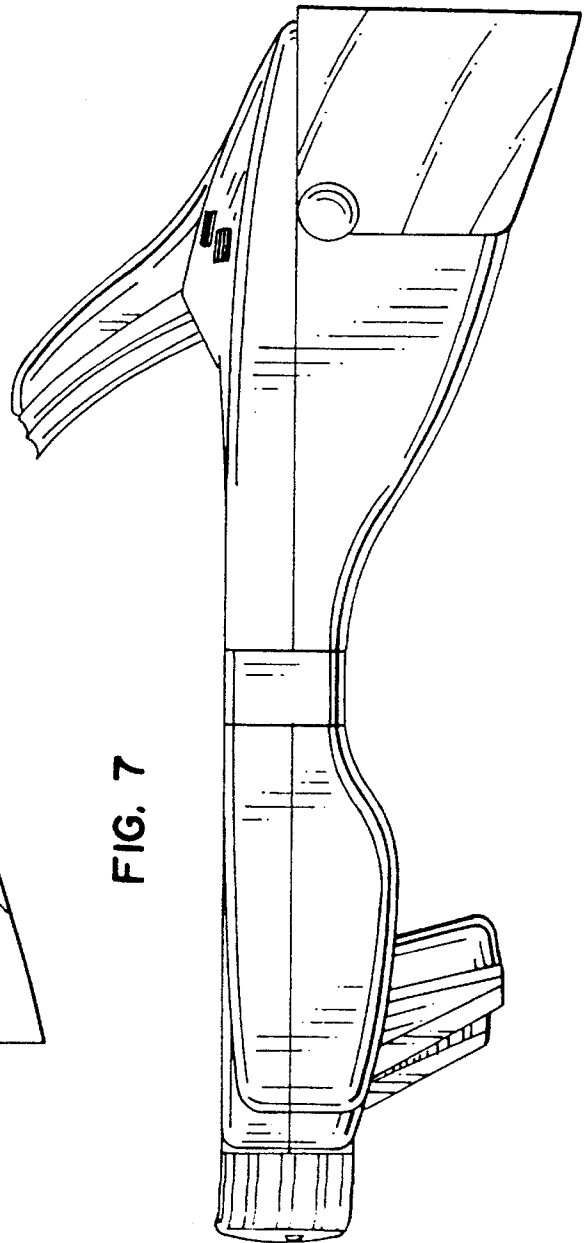
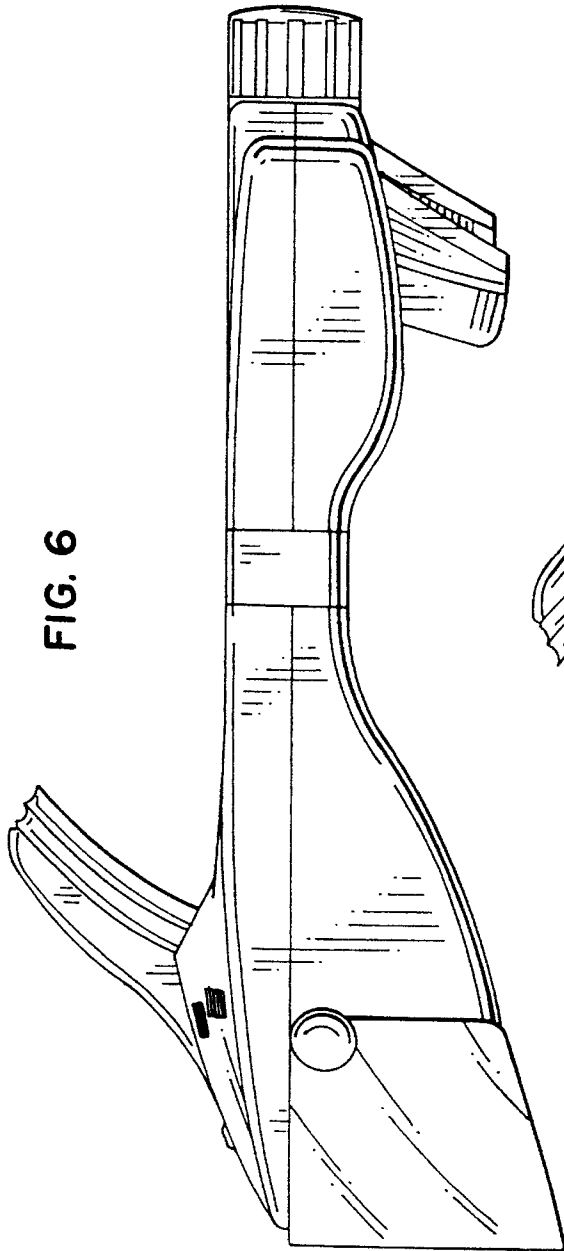


FIG. 8

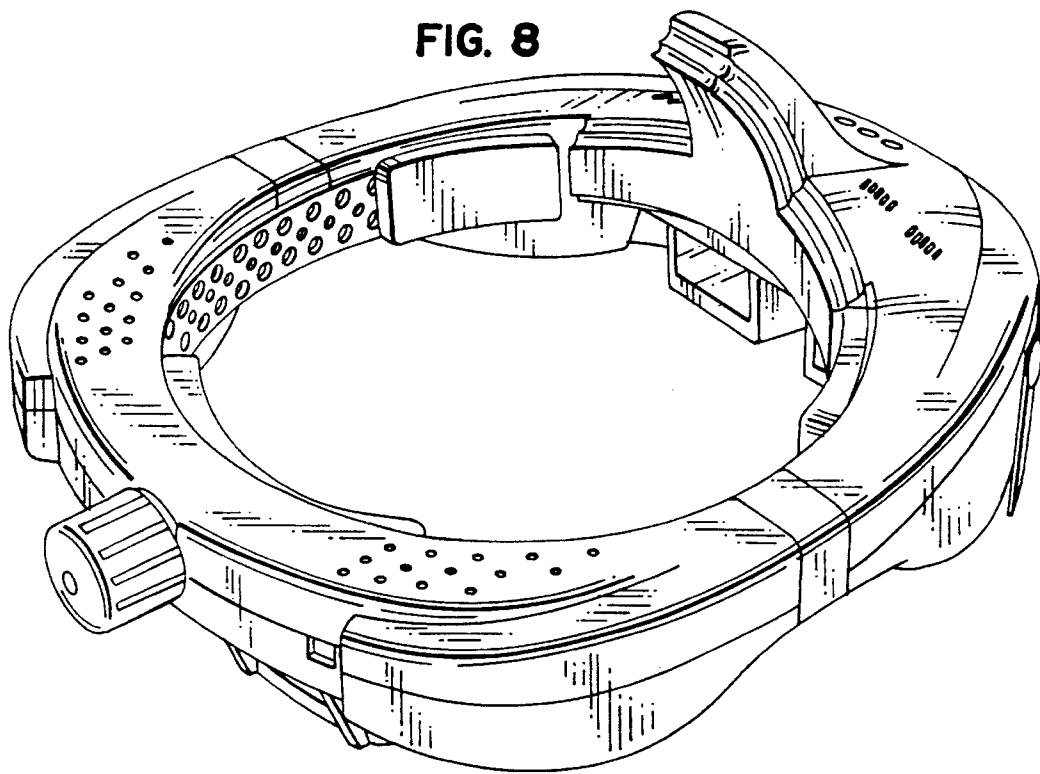


FIG. 9

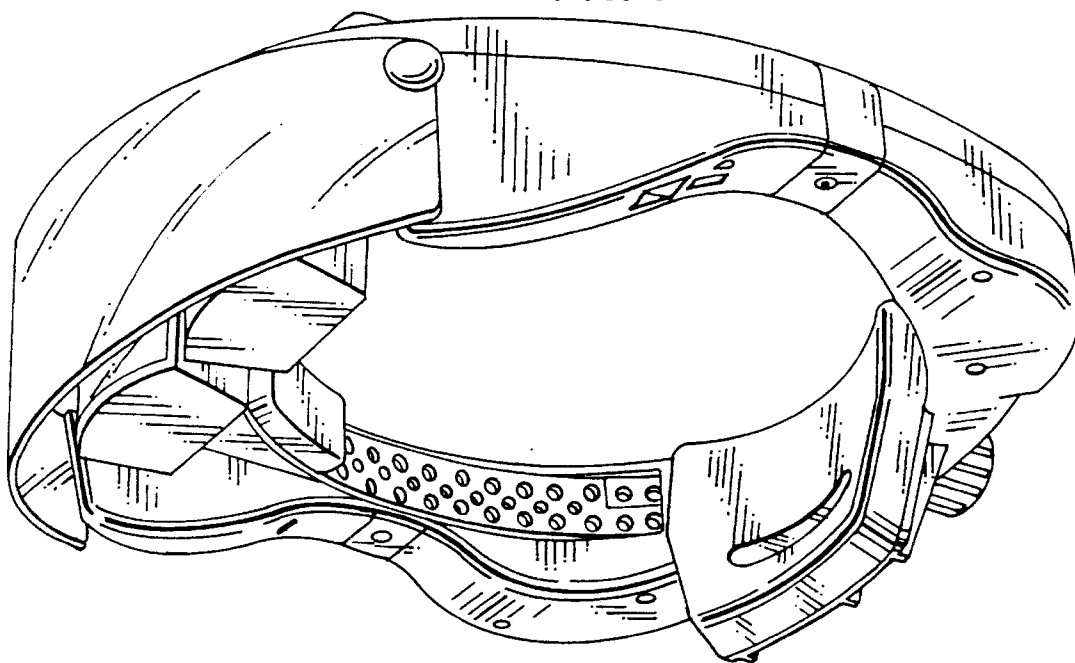


FIG. 10

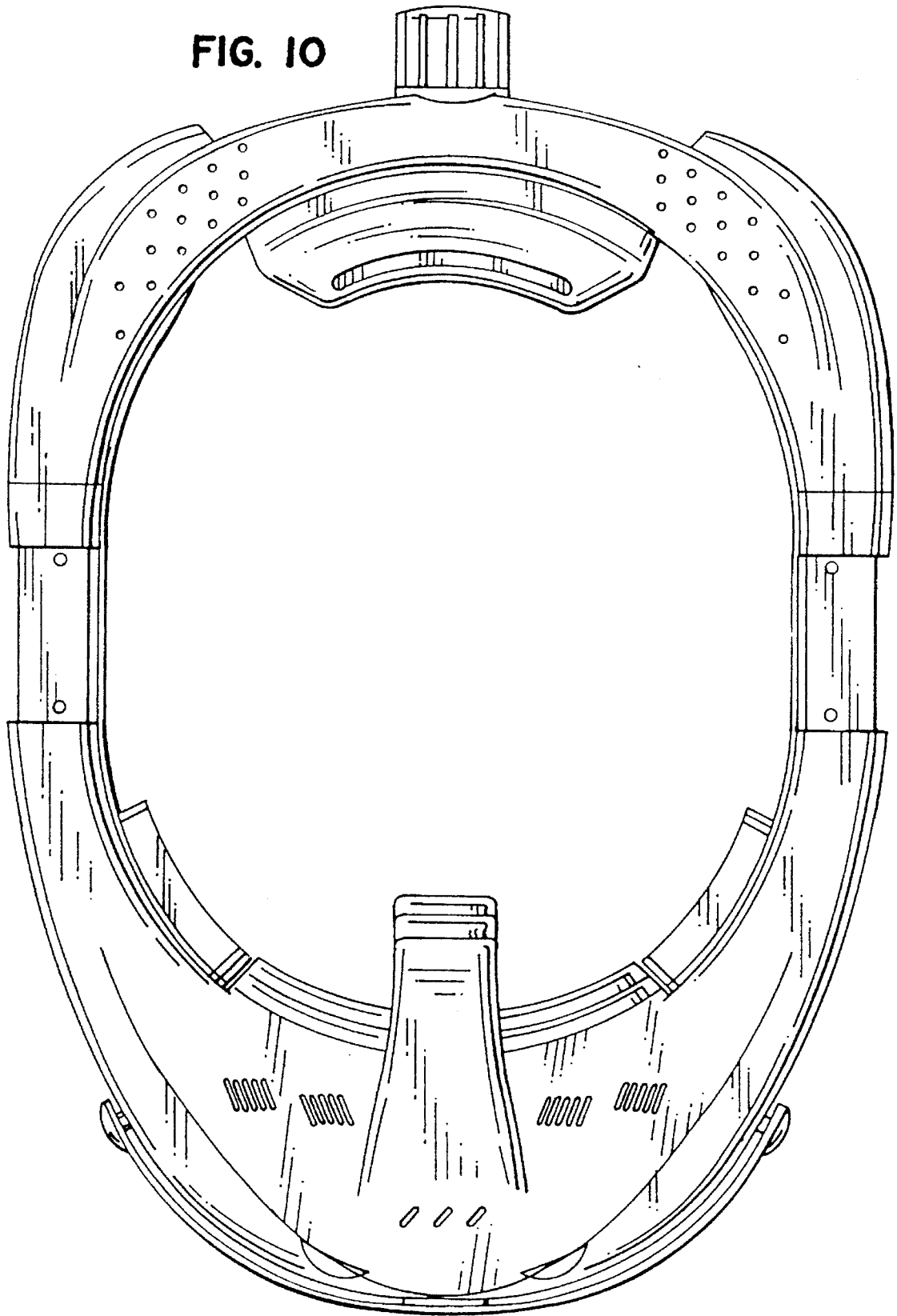


FIG. 11

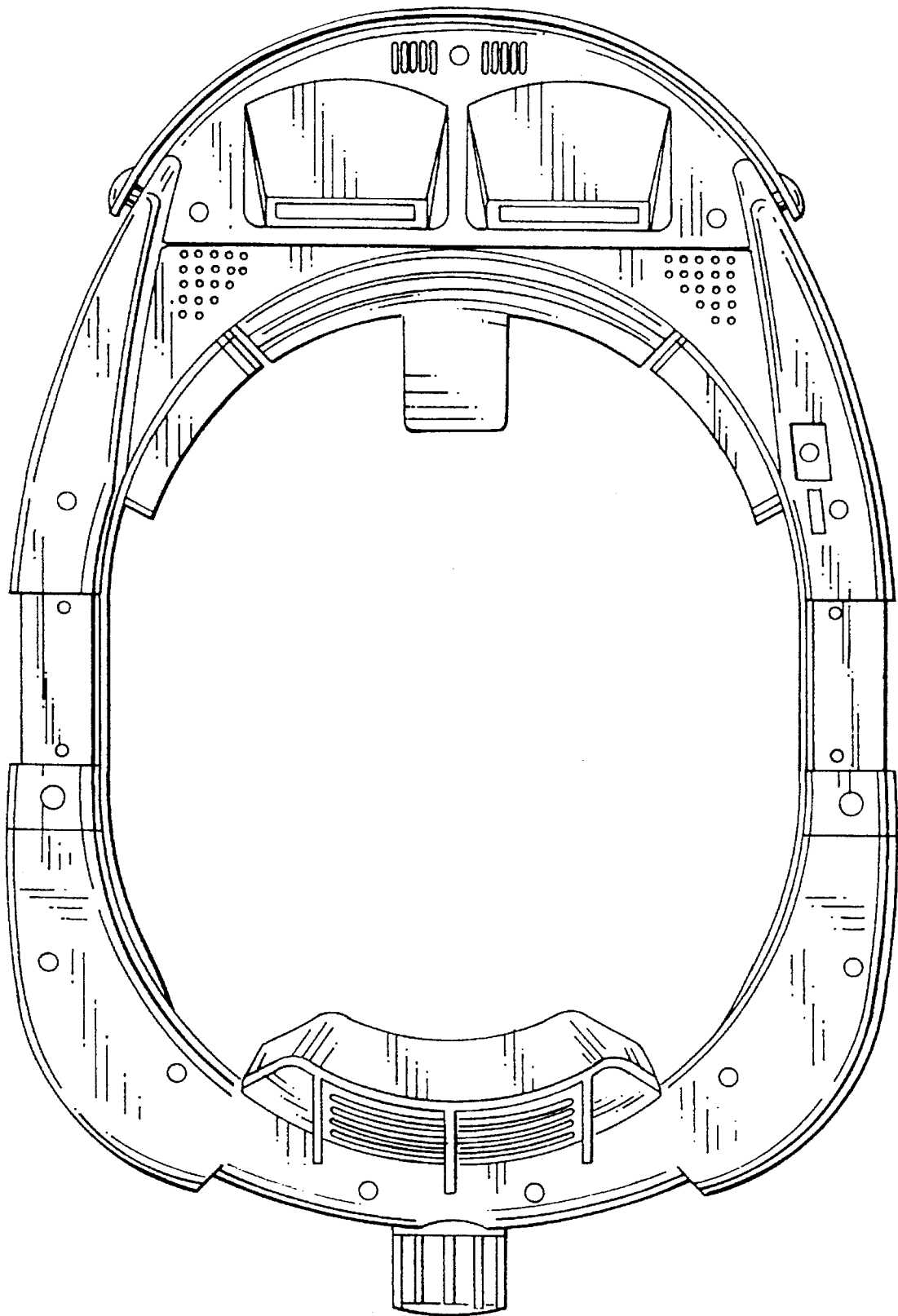


FIG. 12

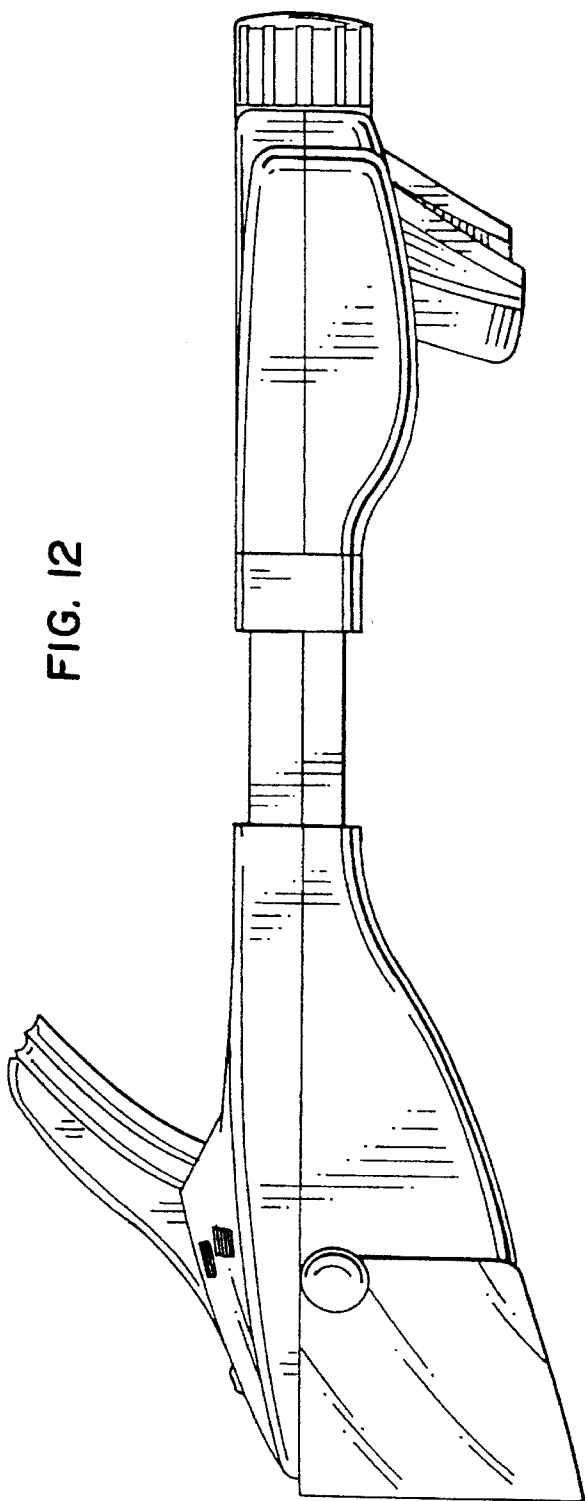


FIG. 13

